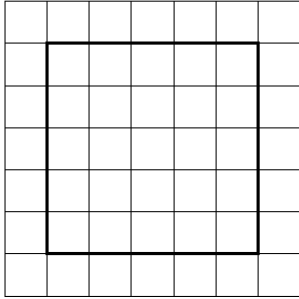


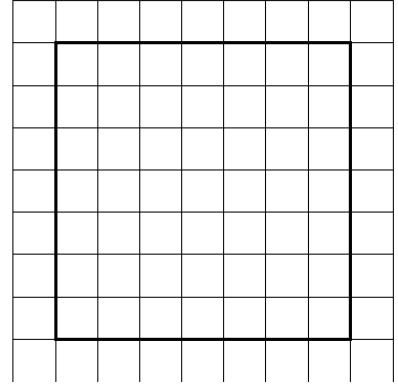
mm

Finding the Perimeter of Rectangles and Squares

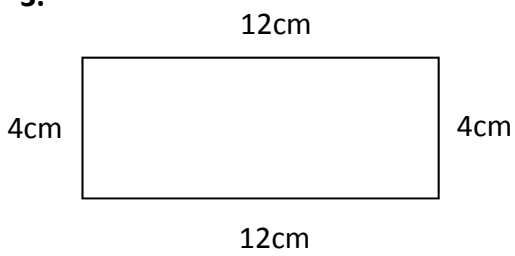
1.



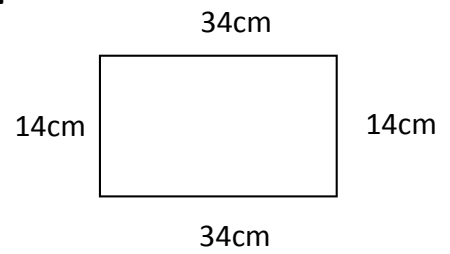
2.



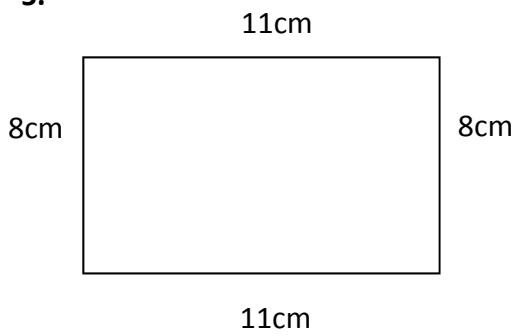
3.



4.



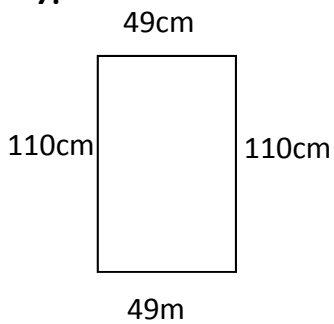
5.



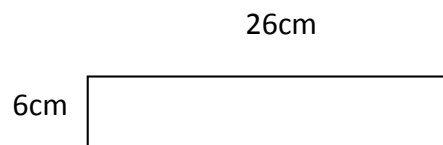
6.



7.



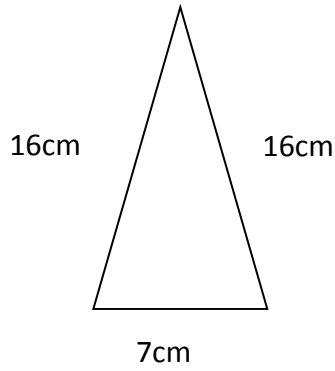
Challenge



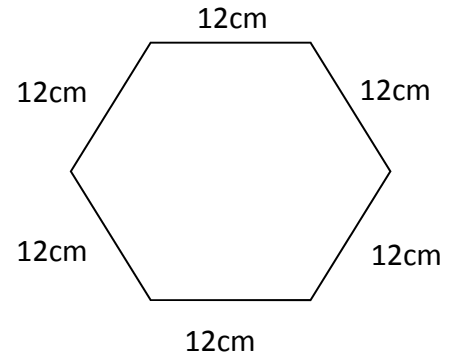
cm

Finding the Perimeter of Rectangles and Squares

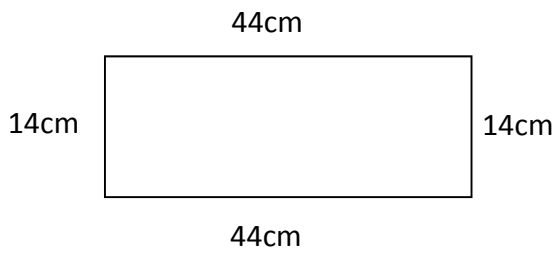
1.



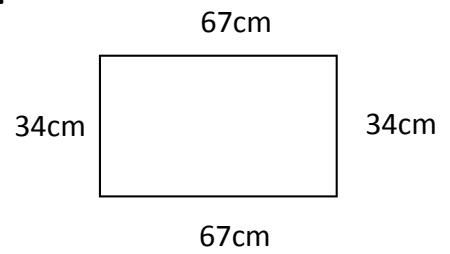
2.



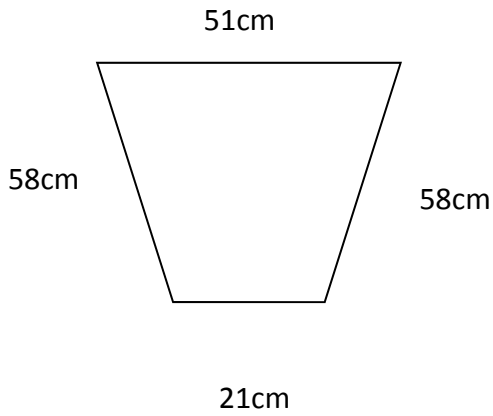
3.



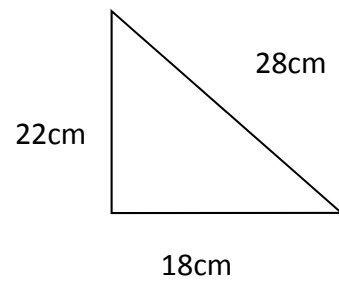
4.



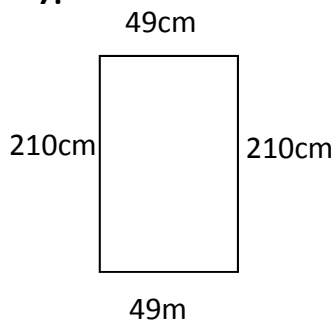
5.



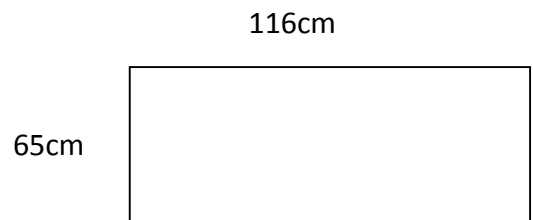
6.



7.



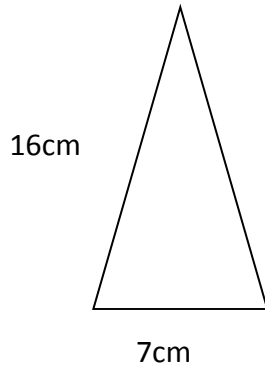
Challenge



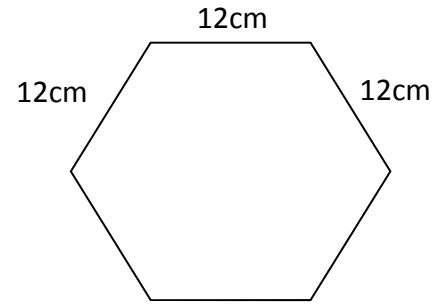
Inches

Finding the Perimeter of 2D Shapes

1.



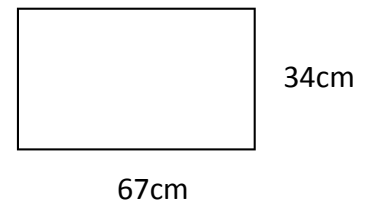
2.



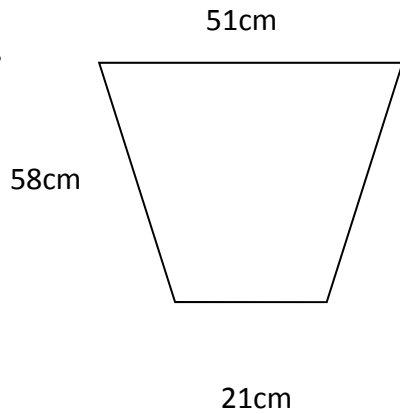
3.



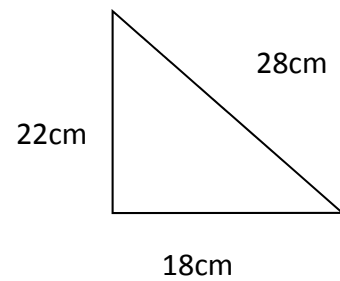
4.



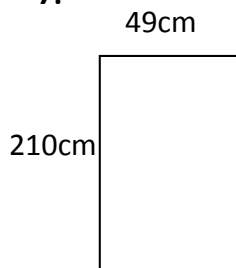
5.



6.



7.



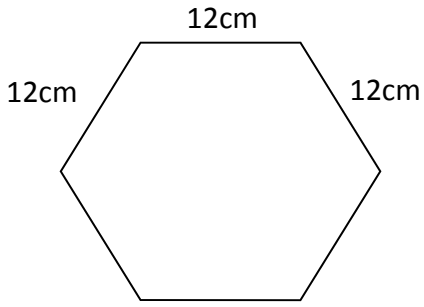
Challenge

If a regular nonagon (9 sided polygon) has a perimeter of 81cm, what is the length of one of its sides?

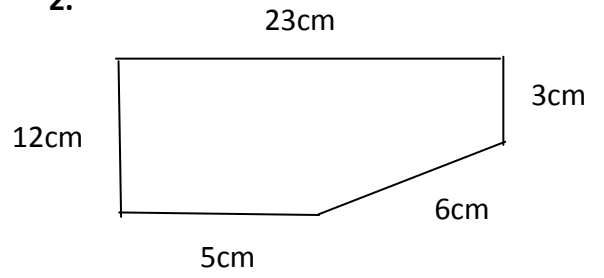
Metres/Km

Finding the Perimeter of 2D shapes

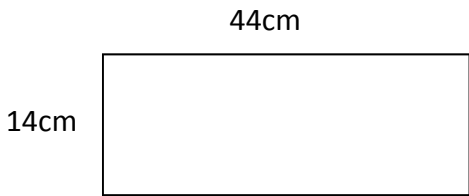
1.



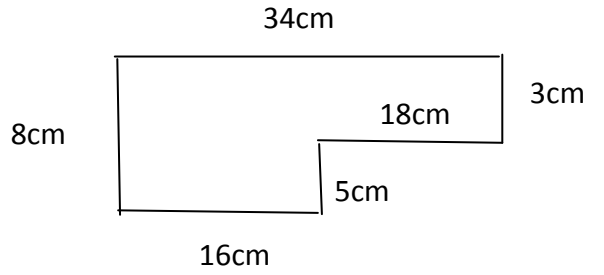
2.



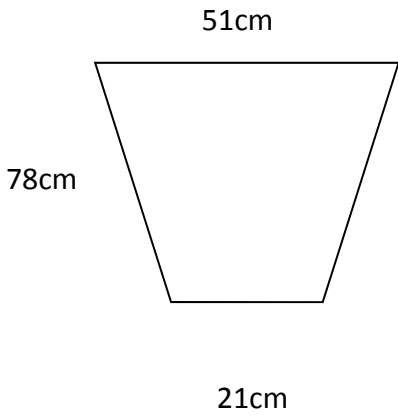
3.



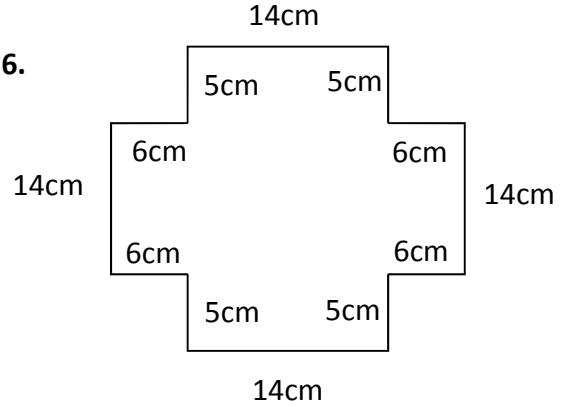
4.



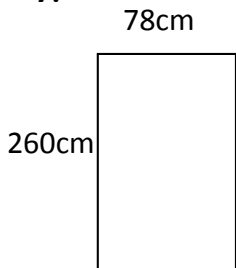
5.



6.



7.



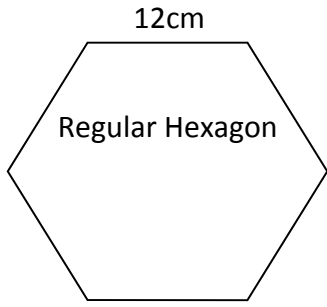
Challenge

If a regular nonagon (9 sided polygon) has a perimeter of 81cm, what is the length of one of its sides?

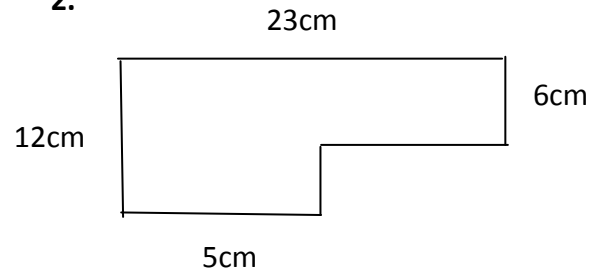
Miles/Feet

Finding the Perimeter of 2D and Compound Shapes

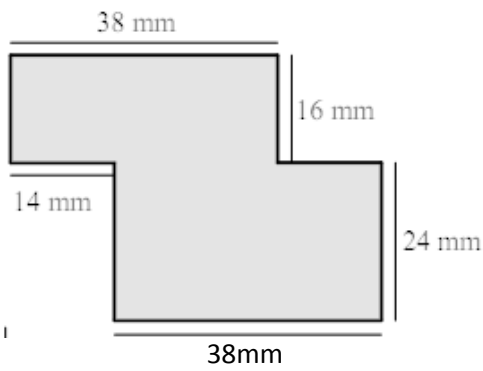
1.



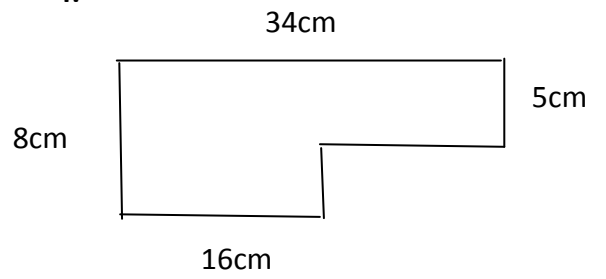
2.



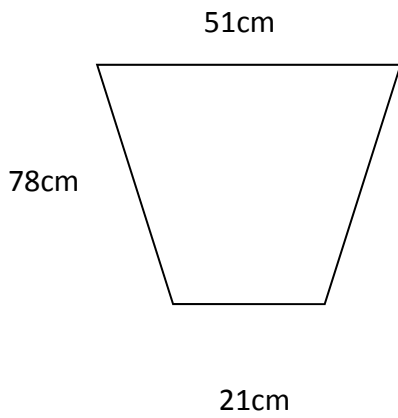
3.



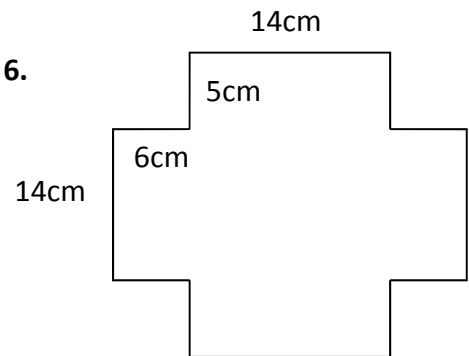
4.



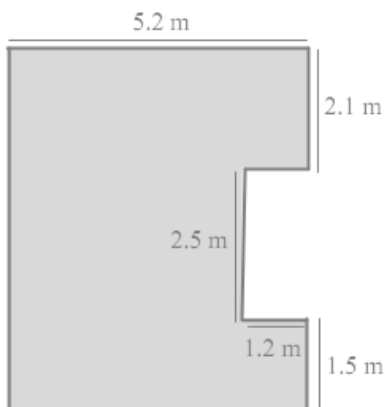
5.



6.



7.



Challenge

Can you find the length of a side in a regular nonagon if the perimeter is 162cm?