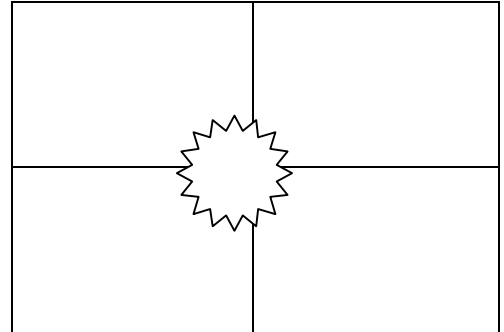
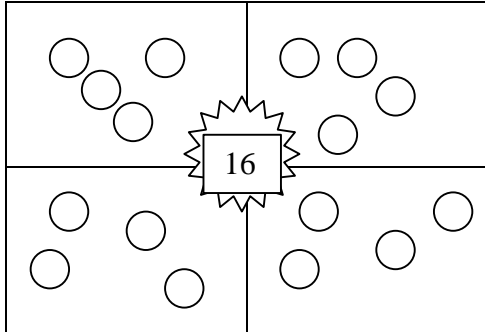
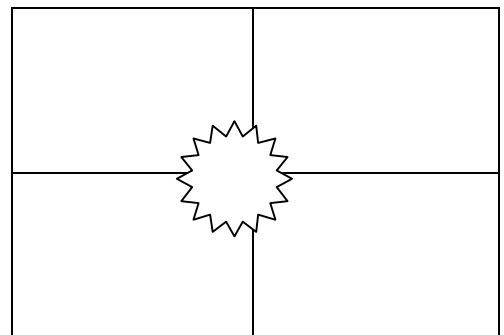
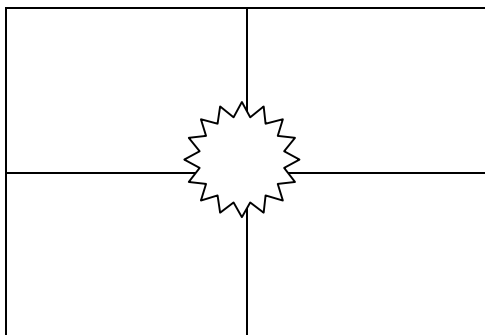
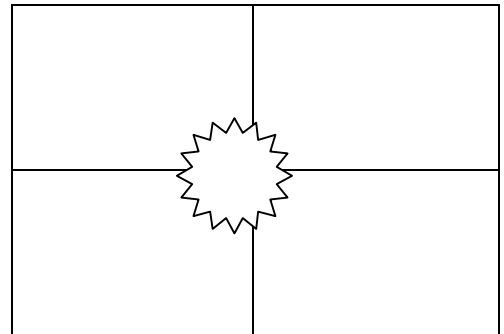
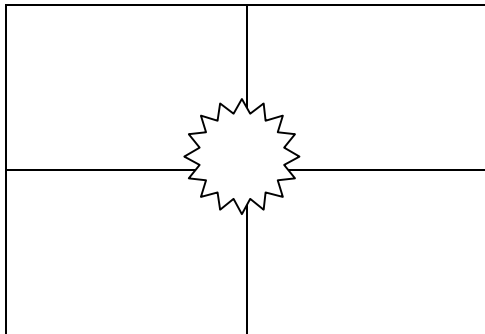


Way
Cool!

Quarter it!



$\frac{1}{4}$ of 16 is 4



Learning Objective: Recognise and find simple fractions